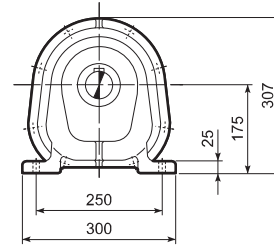
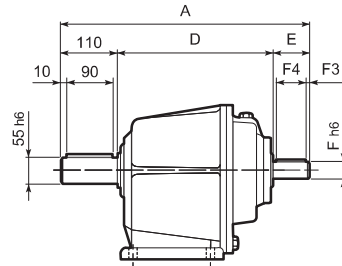
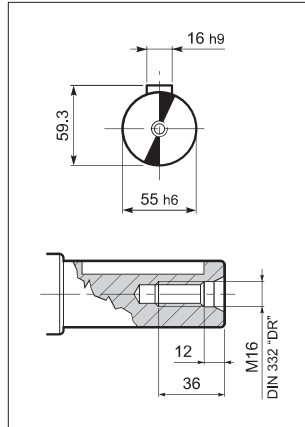
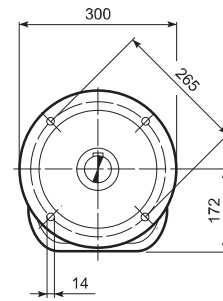
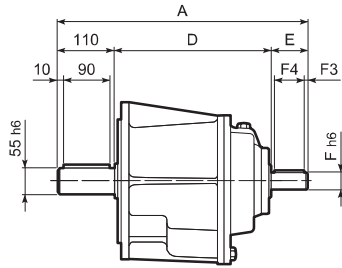
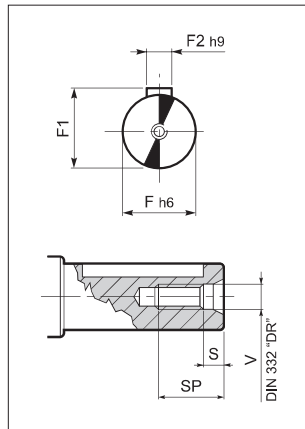


OUTPUT








**P
DP**

INPUT



**F
DF**

	AS 55											
	A	D	E	F	F1	F2	F3	F4	V	S	SP	
 AS 55 P_HS	505	315	80	38	41.3	10	10	60	M12	9.5	28	61
 AS 55 DP_HS	475	305	60	28	31.3	8	5	50	M10	7.5	22	56
 AS 55 F_HS	505	315	80	38	41.3	10	10	60	M12	9.5	28	61
 AS 55 DF_HS	475	305	60	28	31.3	8	5	50	M10	7.5	22	56